

RELAX



Driven by passion.

130 RFC

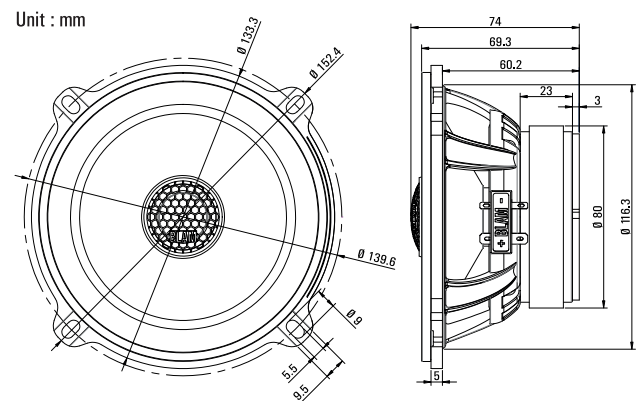
Coaxial speaker

- 130mm (5.25") component
- Max. power 120 W / Nominal Power 60 W
- Frequency response 80 Hz - 28 kHz
- Impedance 2 Ω

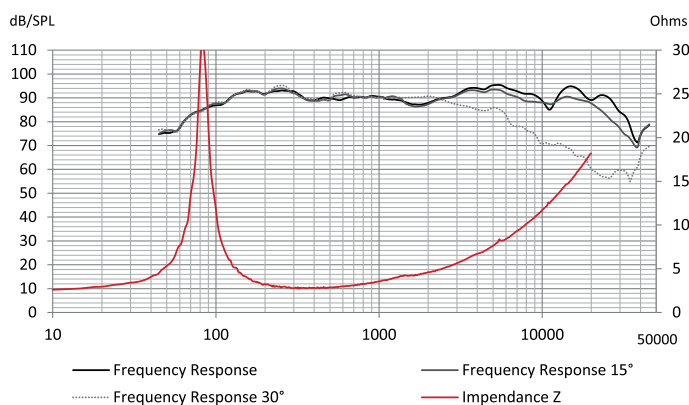


TECHNICAL SPECIFICATIONS

| | | |
|------------------------------|----------------|--------------|
| Component | Speaker | |
| Max power | 120 W | |
| Nominal power | 60 W | |
| Impedance | 2 Ω | |
| Freq. Response | 80 Hz - 10 kHz | |
| Sensitivity (2,83V/1m) | 94 dB | |
| Magnet | Ferrite | |
| Motor size \varnothing x h | 80 x 15 mm | 3.1 "x 0.6 " |
| Total driver displacement | 0.11 l | 0.004 cf |
| Weight of one component | 0.745 kg | 1.642 lb |
| Voice coil \varnothing | 25 mm | 0.984" |
| Voice coil height | 11.0 mm | 0.433" |
| Cone | Cellulose pulp | |



FREQUENCY RESPONSE / IMPEDANCE



THIELE-SMALL PARAMETERS

| | |
|-----------------------------|-------------------------|
| effective \varnothing (d) | 109 mm |
| Sd | 93.31 cm ² |
| Xmax | 3.5 mm |
| Re | 2.58 Ω |
| Fs | 83.25 Hz |
| Le | 111.38 μ H @ 1 kHz |
| L2 | 185.85 μ H @ 10 kHz |
| Vas | 5.77 L |
| Mms | 7.75 g |
| Cms | 0.471823 m/N |
| BL | 4.14 Tm |
| Qts | 0.56 |
| Qes | 0.61 |
| Qms | 6.75 |
| Sensitivity | 89 dB |