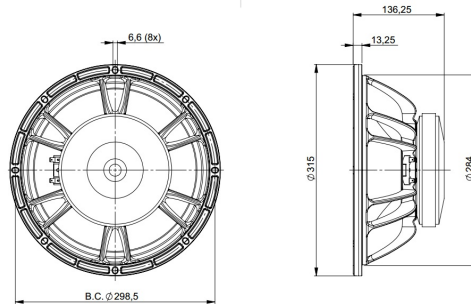


12FW64

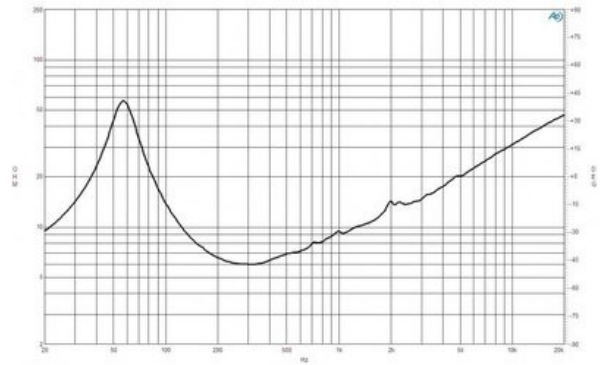
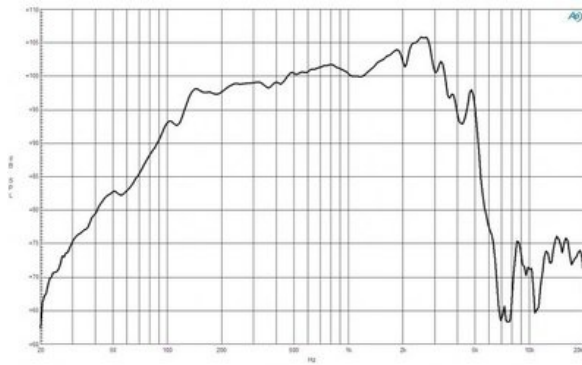
8Ω**LF Drivers - 12.0 Inches**

- 500 W continuous program power capacity
- 64 mm (2.5 in) aluminium voice coil
- 50 - 3000 Hz response
- 98 dB sensitivity



12FW64

LF Drivers- 12.0 Inches



SPECIFICATIONS

Nominal Diameter	320 mm (12.0 in)
Nominal Impedance	8 Ω
Minimum Impedance	6.7 Ω
Nominal Power Handling ¹	250 W
Continuous Power Handling ²	500 W
Sensitivity ³	98.0 dB
Frequency Range	55 - 3000 Hz
Voice Coil Diameter	64 mm (2.5 in)
Winding Material	Aluminium
Former Material	Glass Fibre
Winding Depth	14.0 mm (0.55 in)
Magnetic Gap Depth	8.0 mm (0.31 in)
Flux Density	1.3 T

DESIGN

Surround Shape	Double Roll
Cone Shape	Exponential
Magnet Material	Ferrite
Spider	Single
Pole Design	T-Pole
Woofer Cone Treatment	WP Waterproof Front Side
Recommended Enclosure	40.0 dm ³ (1.4 ft ³)
Recommended Tuning	55 Hz

PARAMETERS⁴

Resonance Frequency	55 Hz
Re	5.2 Ω
Qes	0.32
Qms	3.5
Qts	0.29
Vas	64.0 dm ³ (2.26 ft ³)
Sd	522.0 cm ² (80.9 in ²)
η _o	3.6 %
Xmax	5.0 mm
Xvar	5.0 mm
Mms	47.0 g
Bl	15.5 Txm
Le	1.0 mH
EBP	171 Hz

MOUNTING AND SHIPPING INFO

Overall Diameter	315 mm (12.4 in)
Bolt Circle Diameter	298 mm (11.7 in)
Baffle Cutout Diameter	283.0 mm (11.1 in)
Depth	136 mm (5.35 in)
Flange and Gasket Thickness	13 mm (0.51 in)
Air Volume Occupied by Driver	3.0 dm ³ (0.1 ft ³)
Net Weight	5.6 kg (12.3 lb)
Shipping Units	1
Shipping Weight	6.5 kg (14.33 lb)
Shipping Box	360x360x200 mm (14.17x14.17x7.87 in)

SERVICE KIT

RCK12FW648

1. 2 hours test made with continuous pink noise signal within the range Fs-10Fs. Power calculated on rated nominal impedance. Loudspeaker in free air.
2. Power on Continuous Program is defined as 3 dB greater than the Nominal rating.
3. Applied RMS Voltage is set to 2.83 V for 8 ohms Nominal Impedance.
4. Thiele-Small parameters are measured after a high level 20 Hz sine wave preconditioning test.